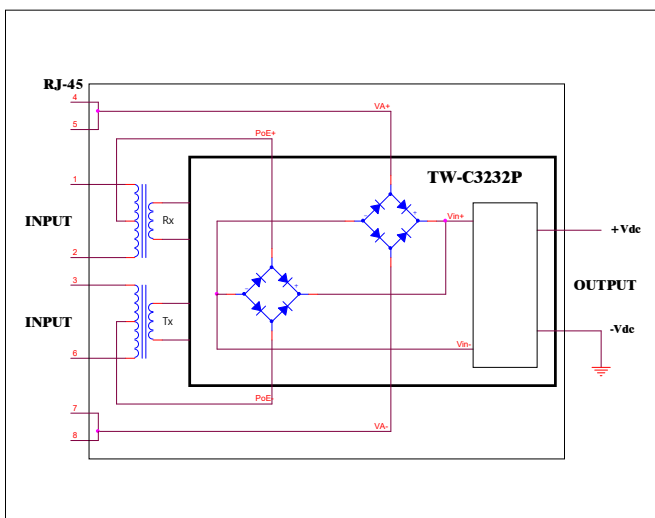


- IEEE802.3af Compliant
- Input voltage range 36V to 57V
- Short-circuit protection
- Standard CCTV package size 32mm×32mm
- Pb free and RoHS compliant
- Power Classification: Class0

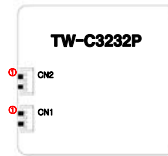
This PSU accepts PoE(IEEE802.3af) input. As it use RCC(Ringing Choke Converter) type SMPS which is operated by variable frequency. Within this input power, its output can meet +12V and 9.6W(Max.) power can be supported. It includes compensation circuit board to avoid the case like short-circuit of main unit and short of this PSU. By this circuit board architecture, it prevents fire and smoke of power itself.

The TW-C3232P series of modules are designed to extract power from a conventional twisted pair Category 5 Ethernet cable, conforming to the IEEE 802.3af Power-over-Ethernet (PoE) standard.

■ **Block Diagram**



■ **Pin Description**



Pin No.	Name	CN1 Description
1	PoE+	<b>Rx Input;</b> This pin connects to the output of the Ethernet transformer center tap. Not polarity sensitive.
2	PoE-	<b>Tx Input;</b> This pin connects to the output of the Ethernet transformer center tap. Not polarity sensitive.
3	VA+	<b>Direct Input(1);</b> This pin connects to the Ethernet cable spare pair. Not polarity sensitive.
4	VA-	<b>Direct Input(2);</b> This pin connects to the Ethernet cable spare pair. Not polarity sensitive.

Pin No.	Name	CN2 Description
1,2	+ VDC	<b>DC Output;</b> +12V Output
3,4	GND	GND

■ **Input condition & Output ratings**

1. **Input Condition**

- 1) Rated Voltage : PoE(802.3af)
- 2) Variable Scope for Input voltage : PoE (DC36~57V)
- 3) Operating Temperature : -20 ~ 70 Ta/°C (Typ. 25°C)

2. **Output Ratings**

- 1) Rated Voltage : +12V
- 2) Output Power : 9.6W Max.
- 3) Regulated Output Current Variation : 0.1A ~ 0.8A
- 4) Regulated Output Voltage Variation : +11.4V ~ +12.6V
- 5) Ripple & Noise : 200mVp-p (Max.)

■ **Dimension**

